



DOSATRON®

WATER POWERED DOSING TECHNOLOGY

14 GPM: D14MZ5

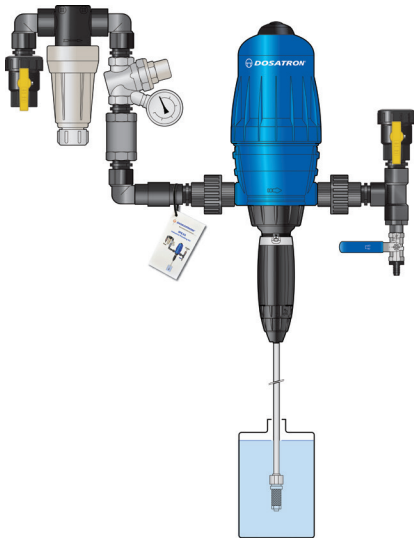
Product Specifications

Dilution Range:	1:200 to 1:20 (.5% to 5%)
Water Flow Range:	0.05 to 14 GPM
Operating Pressure Range:	4.3 to 85 PSI
Available Housing Materials:	Polypropylene
Dimensions:	19 1/8" x 6 5/16"
Weight:	6 lbs
Connection Size:	3/4" NPT
Maximum Temperature:	104° F
Included Accessories:	6' clear suction tube, weighted strainer, mounting bracket and quick start guide
Recommended Accessories:	IPK34



Recommended Installation

IPK34 - 14 GPM Industrial Plumbing Kit



- 3/4" polypropylene Banjo single union ball valve
- 1/2" stainless steel ball valve
- 3/4" poly 200 mesh tee filter
- 3/4" brass pressure regulator w/gauge
- 3/4" 14 GPM flow restrictor
- 3/4" polypropylene check valve
- 3/4" union schedule 80 PVC
- 3/4" x 2" Banjo polypropylene fittings

- 1/2" x 2" Banjo polypropylene fittings
- 1/2" x 1/2" Banjo barb fitting
- 3/4" male to 1/2" female Banjo reducer bushing
- 3/4" Banjo T
- 3/4" Banjo street elbows
- Roll of Teflon tape
- Instruction card
- Zip tie



We Have Solutions!

800-367-9966

metalfluids.com